

NTPC3 Technical Datasheet

Effective May 16, 2017

Starfield lighting Automation

OVERVIEW

The NTPC3 is an industrial grade, rack mounted blind server optimized for providing the reliable, long-term, 24/7 operation required for full building digital lighting control.



Highlights

Fanless, Solid State Drive, and External Power Adapter

Fast, quiet, long-term, reliable service.

1U Slim Case with No Monitor, Keyboard, or Optical Drive

Rack mount in a secure room with limited access and environmental control.

Preloaded Starfield Utilities and Operating Software

Out-of-the-box ready for testing, verification, configuration, and documentation.

Embedded 64 bit Windows 7 OS

Provides enhanced security and industrial operation without the frills, distractions, and security risks of standard Windows 7.

Limited Access

Dedicated firewalled WAN interface provides higher security, remote support, and a common platform for system level software, databases, logs, and documentation.

Specifications

Case Rack Mount Industrial PC - 19" 1U Mini Rack Mount Case (9.8" (250mm) Deep)

Processor Intel® Celeron® J1900 Quad-Core Processor, 2.00GHz, 2MB L2 cache, Up to 8GB 1333MHz non-ECC DDR3 SO-DIMMs on 2 SO-DIMM slots

RAM 4GB upgradable to 8GB 1333MHz non-ECC DDR3 SO-DIMMs on 2 SO-DIMM slots

Solid State Hard Drive 250GB mSATA direct connect to mother board eliminates wires. 1.2 million hours MTBF and up to 540 MBps Read, 520 MBps Write.

Optical Drive - none

Network Interface Cards (NIC) 2 x 10/100/1000 Ethernet adapters. One for the lighting LAN (10.0.1.6 static) and the other for Internet WAN access (DHCP enabled)

Video Integrated Video for 2 independent displays (VGA + HDMI),

Audio HD Audio

Power Adapter 90-264 VAC primary, 12V/5A AC/DC secondary, 60 Watts.

Internal Power Supply 9-19 VDC Direct DC Input, 50 watts.

Operating Temperature 0 to 50°C (32 to 122°F)

Default Operation Power-on after power-failure (computer will turn on when AC power is restored)

Monitor and Keyboard ¹ None *For security reasons local access interfaces are not included or recommended for normal operation.*

Operating System Microsoft Windows 7 Embedded Standard E 64-bit

Software Included

- **MS Windows 2007 Office** Excel and Access²
- **Starfield Admin Lite** DALI & Daylighting Property Editor, Control, and Query
- **Starfield Scripting Tool** - DALI and Control Property Editor, Control, Query Trending, Advanced Configuration
- **Starfield Commissioners** - DALI and Control Addressing and Management
- **Remote Access** subscription for 1yr or until substantial completion
- **MS Windows Firewall**

Software Optional

- **Panther** Calendar, Time, and Astronomical scheduling software for DALI and Control devices

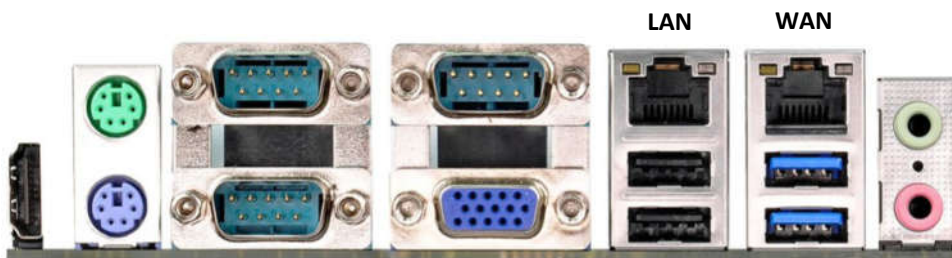
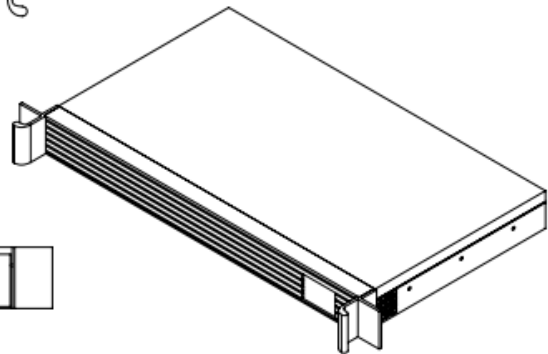
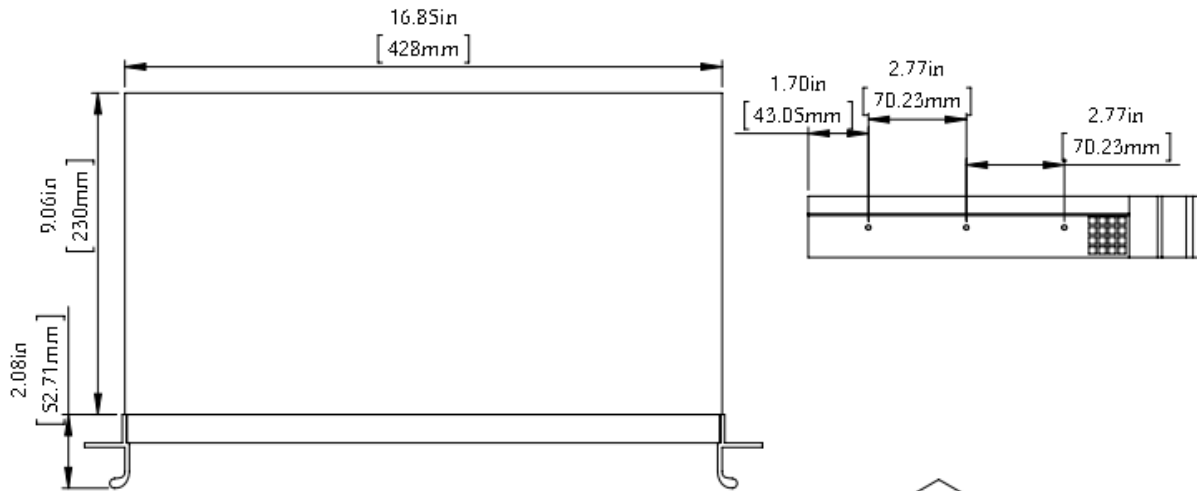
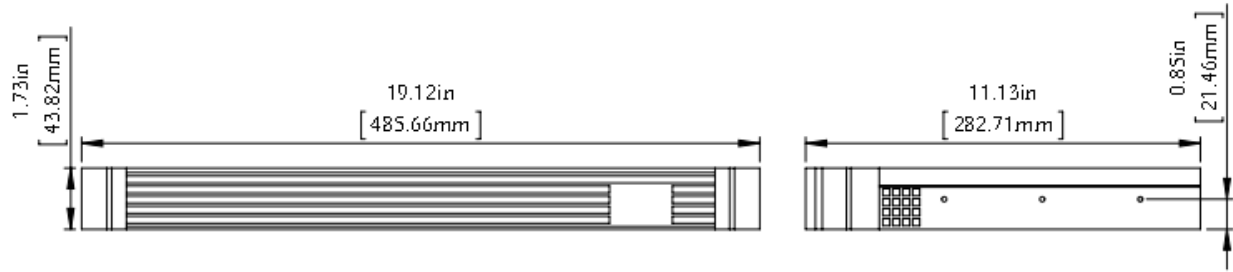
Warranty 1 Year Depot Warranty

Notes

1. Install and operation the NTPC3 a blind server inside a secure computer room with climate control, limited access, UPS, and backup power.
2. Office 2007 Access database program is better suited for control applications as it includes embedded graphics not available with later versions.

Order Number: NTPC3

NTPC3 SOLID STATE SERVER



Ports

- 5 x USB 2.0 ports (3 on rear I/O, 2 front panel ports)
- 1 x USB 3.0 port (rear)
- 1 x VGA
- 1 x HDMI
- 2 x PS/2
- 1 x RS-232 Serial
- 1 x Parallel
- 2 x 10/100/1000 NIC cards